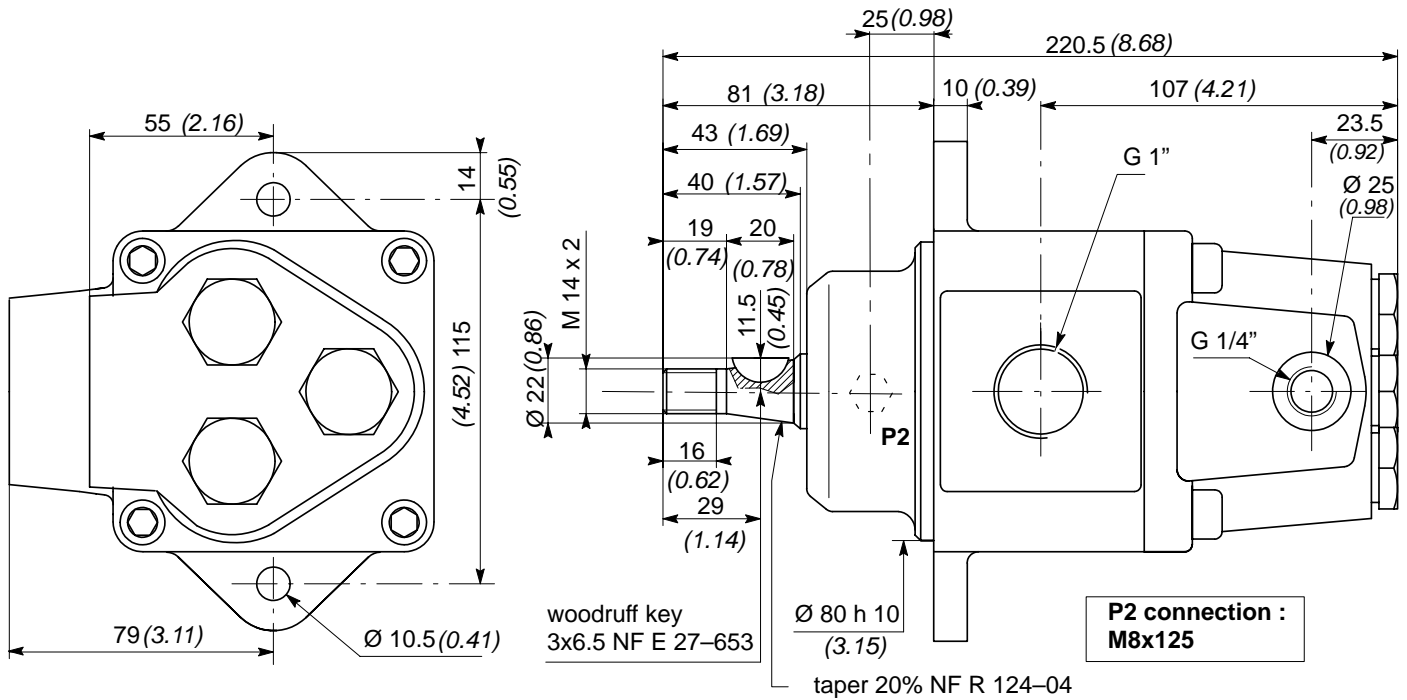


INDUSTRIAL FIXED DISPLACEMENT PUMP

HH 28

3.3 cm³/rev (0.20 cu.in.)
600 bar (8700 PSI)
3000 rpm



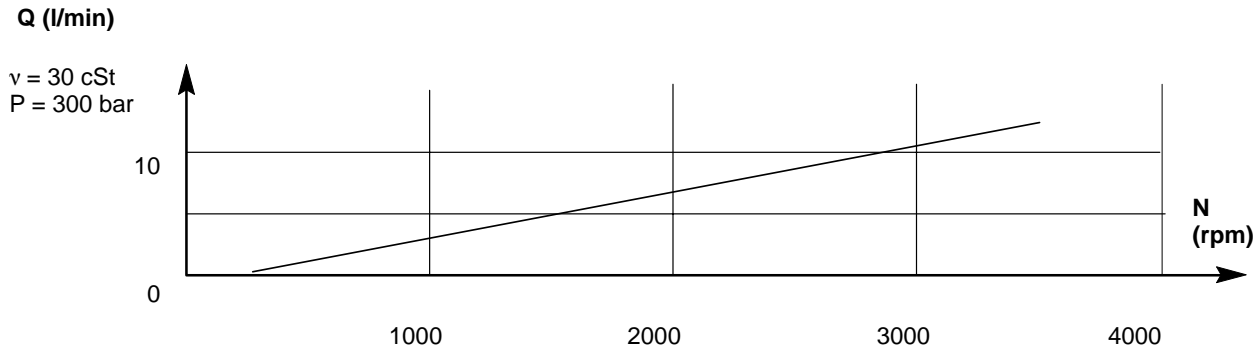
Dimensions are written in millimeters
and (inches)

TECHNICAL CHARACTERISTICS

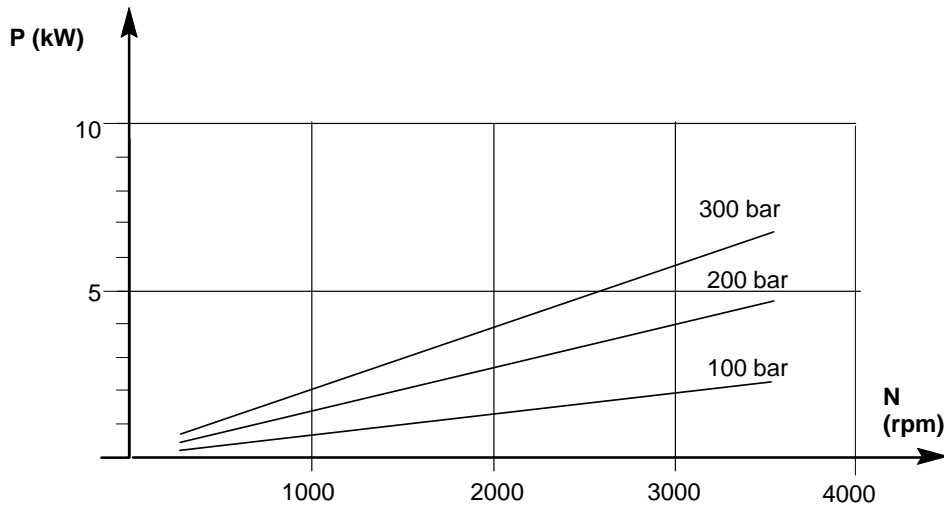
Displacement	:	3,3 cm ³ /rev (0.20 cu.in .)
Max. continuous pressure	:	600 bar (8700 PSI)
Max. peak pressure	:	700 bar (10140 PSI)
Self-priming speed	:	3000 rpm
Peak speed	:	3500 rpm
Max. temperature	:	100-120° C (212-248° F)
Inlet Ø	:	G 1"
Outlet Ø	:	G 1/4"
Weight	:	7.6 kg (16.76 lbs)
$\frac{N_v}{p}$ mini	:	63

PERFORMANCES

FLOW CURVE



POWER CURVE



CONDITIONS OF USE

See also sheet headed "start-up".

FLUID : The viscosity of the fluid at the extreme temperatures must be between 15 cSt (2.3°E) and 800 cSt (105°E). Optimum flow between 15 cSt (2.3°E) and 200 cSt (26°E).

If fluid viscosity is less than 15 cSt at extreme operating temperature please consult our Technical Department.

The standard version is equipped with AA (self-priming) valves and the P2 air bleed plug (necessary for vertical submerged position).

CODING :

Clockwise rotation, SH : HH 28 052730